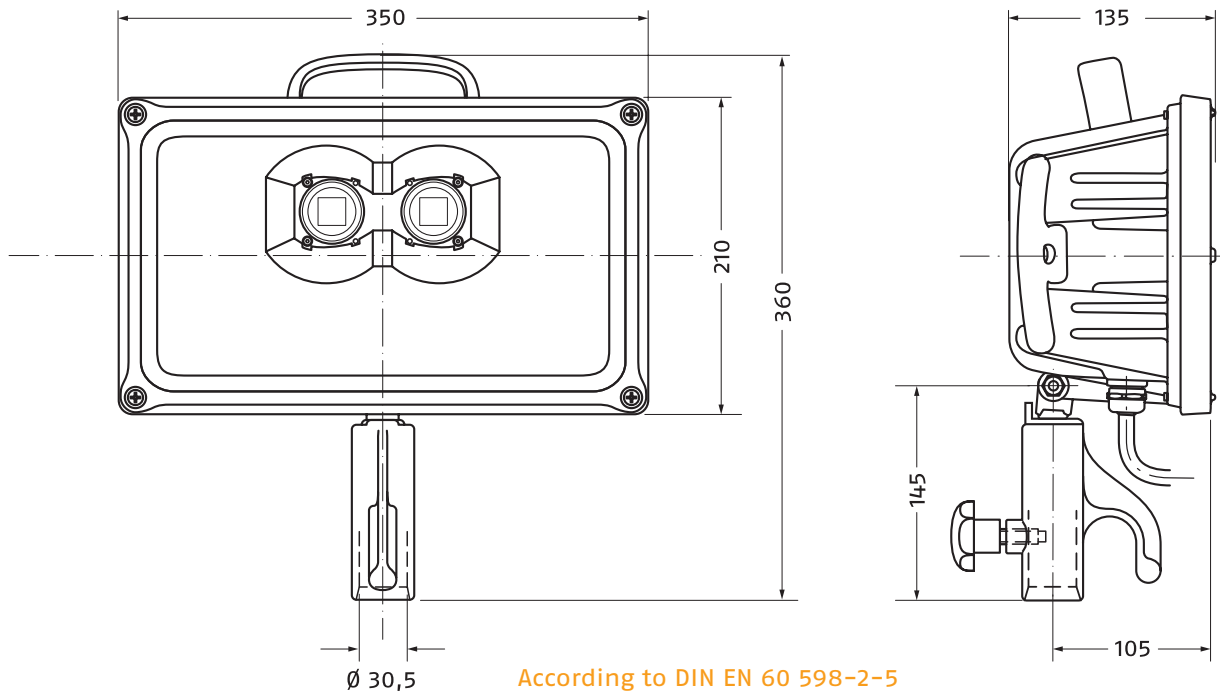


LED-FLOODLIGHT LED 130 DC

with 2 x High Power LED 19,000 Lumen



According to DIN EN 60 598-2-5

Housing	Durable, break-proof aluminium housing, weather-resistant due to high-grade powder coating
Protection type	Dust-proof and hose-proof according to IP 65
Reflector	Specially developed from high grade pre-anodised reflector material for maximum yield of light and uniform light distribution, pleasant bright-dark transition
Lamps	2 x High Power LED, neutral white 4000 kelvins, colour rendering index CRI = >80 19,000 lumen (equates to approx. 1500 watt halogen)
Connection load	Voltage 12-24 V (10-32 V) DC, power input approx. 140 W. Current input at 12 V: 11,7 amperes, at 24 V: 5,8 amperes, integrated polarity protection
Ambient temperature	-25 °C to 50 °C, without connection cable -40 °C to 50 °C
Thermal overload protection	Reduction of power input in case of over-temperature
Safety glass	Tempered safety glass 317 x 176, optical outlet 154 x 85 mm, impact-resistant support by continuous seal, insensitive to temperature differences
Lead	10 m, heavy rubber hose line H 0 7 RN-F 2 x 2.5 mm ² (or higher quality) with charge plug, lockable, 30A 6-42 V acc. to DIN 14690
Mounting	By means of joint and mounting element for \varnothing 30 mm pin (DIN 14 640) on all relevant supports such as tripods, vehicles, etc.
Handles	1 carrying handle and two side handles for optimum manipulation, the side handles also serve to wind and unwind the cable
Weight	Approx. 7.0 kg (with 10 m cable and plug)
Special versions	For installation on light poles, turntable ladders, boom lifts, etc. Any desired cable length and approved plugs available - also available without plugs, handles, joint or mounting element

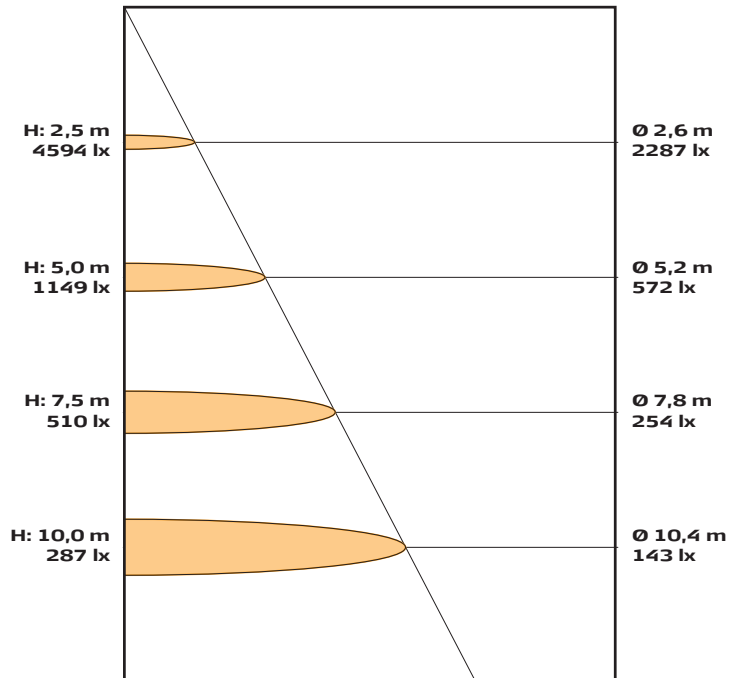
Please make sure that your voltage and power source is sufficient for the required output. Due to voltage losses in the connecting line a minimum of 12 volts must be available at the connecting point (socket).



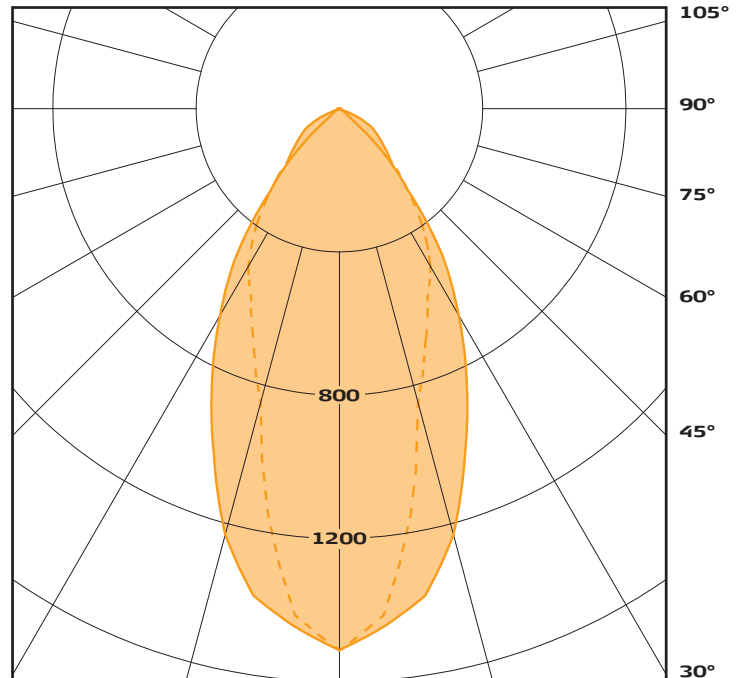
KARL *Meister* GmbH

LED FLOODLIGHT LED 130 DC

Half-peak angle: 55,0°



Luminous intensity distribution, polar



I (cd/klm)

— C 0,0

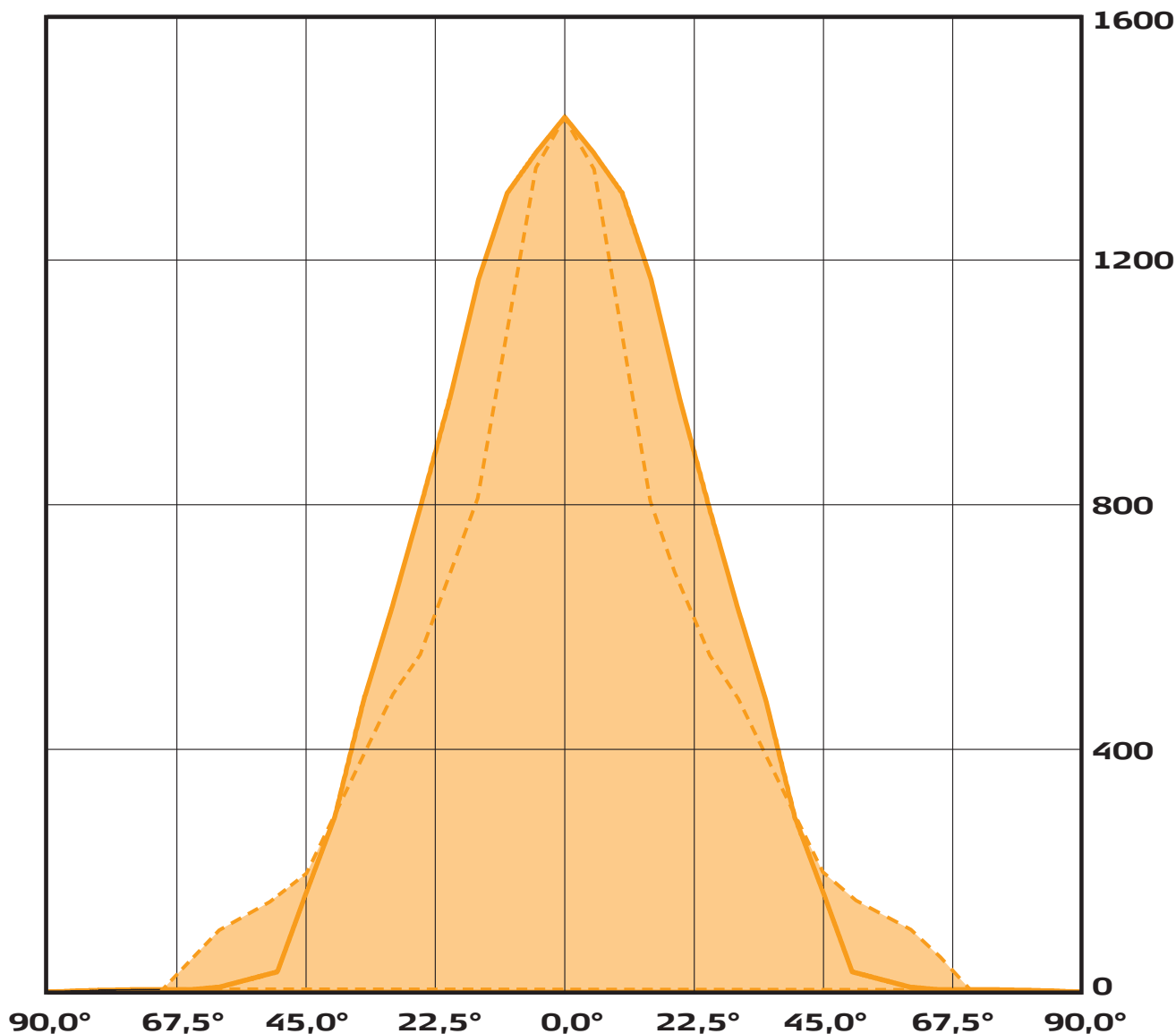
- - - C 90,0

KARL *Meister* GmbH

LED FLOODLIGHT LED 130 DC

Luminous intensity distribution/Cartesian

Cut-off angle gamma



I (cd/klm)

— C 0,0

- - - C 90,0

KARL *Meister* GmbH