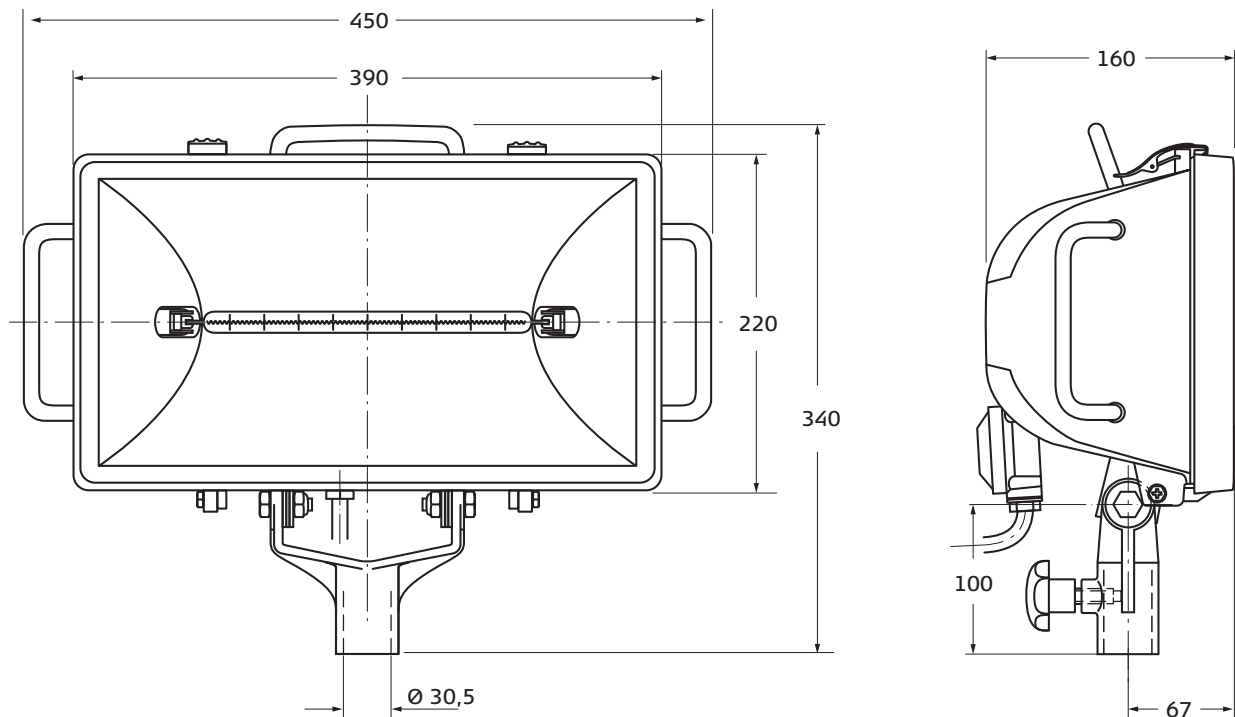


HALOGEN FLOODLIGHT HS 1500

with Halogen Lamp 1500 W



Housing	die cast aluminium
Dimensions	width x Height x depth: 450 x 340 x 160 mm
Halogen lamp	230 V / 1500 W
Connecting lead	10 m, heavy rubber hose line H 0 7 RN-F 3G 1,5 with safety contact plug, lockable, 16A 250V acc. to DIN VDE 0620
Fastening	using a joint and attachment piece via an aluminium bolt acc. to DIN 14640
Handles	1 carrying handle and 2 side handles ensure optimum handling, the side handles are also used for winding and unwinding the cable.
Weight	approx. 4,8 kg with 10 m cable, side handles and carrying handles.
Special versions	any desired cable length - also available without plug and handles



KARL *Meister* GmbH