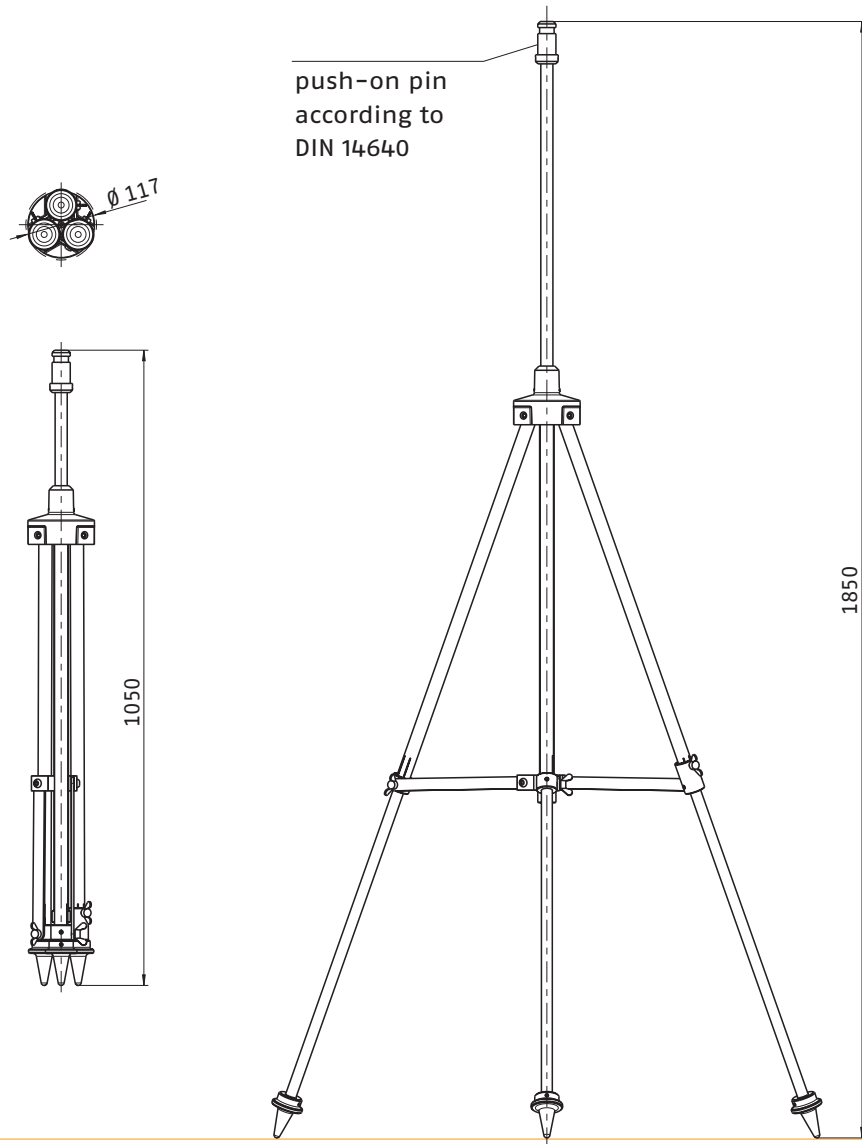


TRIPOD DIN 14683-2015 according to DIN 14683:2015
DESIGNATION KARL MEISTER: ST 1850



max. extension height	1.85 m
inserted length	1.05 m
Weight	5.8 kg
max. centred load	18.00 kg
Mounting bolts	according to DIN 14 640
External tubes	fire red, powder-coated
Telescope tubes	zinc-yellow, anodized, all tubes can be locked with secure stops at any height, for uneven, difficult terrain, all tripod legs can be extended individually For use with 2 floodlights, we recommend our 3 supporting bridges and our DUO-LIGHT.
Transport safety	captive belt with lock to secure the 3 legs



KARL Meister GmbH